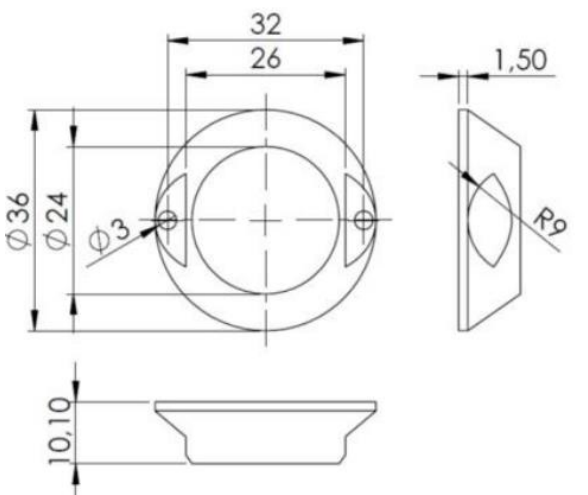
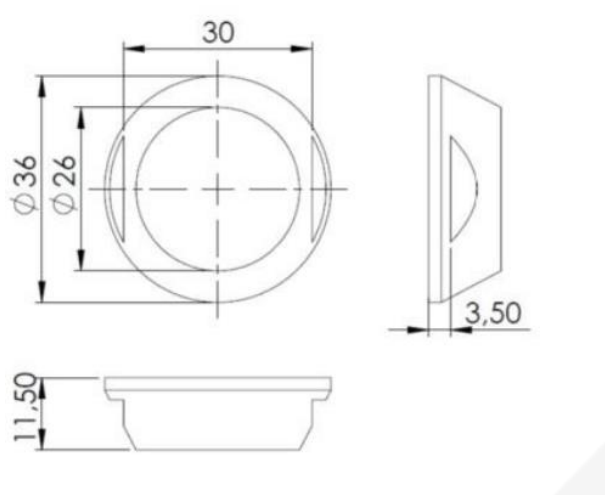
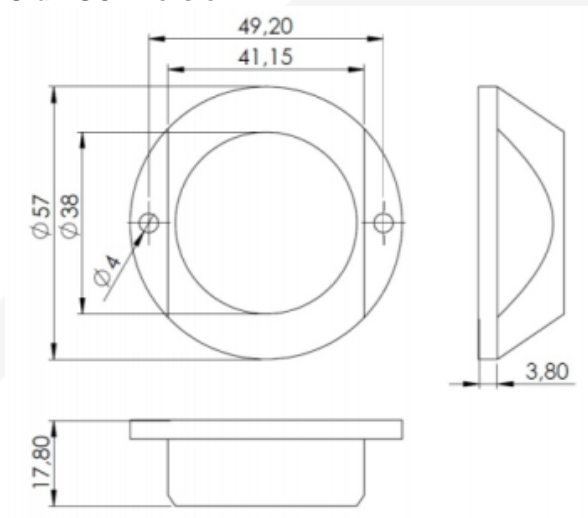
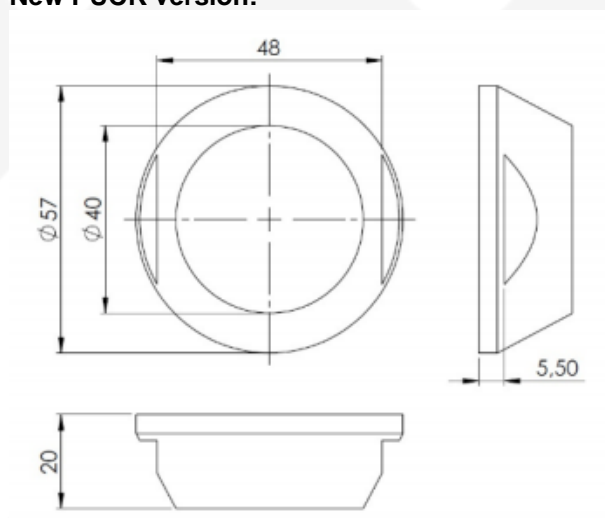


Product Change Notification

PCN number: PCN_COIN_PUCK_20201006_EN

Date: 2020.10.06

Change description		
Change type	External/visual	
Detailed description	Various changes were made in ELA beacons and sensors COIN/PUCK cases designs to optimize manufacturing and to increase rigidity. Case will be improved by reinforcing its walls. Screw holes will be removed.	
	<p>Old COIN/Magnet version:</p> 	<p>New COIN/Magnet version:</p> 
	<p>Old PUCK version:</p> 	<p>New PUCK version:</p> 

Change reasons	Optimization of the production capacity. Reinforcement of walls for increased mechanical crush, shock and vibration resistance. Greater resistance of the material to UV waves
Product release date	Devices with new case design were released in manufacturing from October.

Affected products		
Models	Affected order codes	Order code changes
BLUE COIN ID, BLUE COIN T, BLUE COIN MOV, BLUE COIN MAG, BLUE PUCK ID, BLUE PUCK T, BLUE PUCK T EN 12830, BLUE PUCK MOV, BLUE PUCK MAG, BLUE PUCK RHT, MAGNET 03	PRIEDAS812, PRIEDAS12R, PRIEDAS5CT, PRIEDAS1P2, PRIEDASC3D, PRIEDASJDS, PRIEDAS4B5, PRIEDASMMF, PRIEDAS1LH, PRIEDAS7HR, PRIEDAS1A3.	PRIEDAS3OC, PRIEDASKSE, PRIEDASRXJ, PRIEDAS6J8, PRIEDASFZD, PRIEDASNFQ, PRIEDASE1S, PRIEDAS3D5, PRIEDASERT, PRIEDAS828, PRIEDAS9B1.

Change impact	
Risk assessment	No risk factors encountered with this change
Suggested implementation plan	Due to changes in device appearance we strongly recommend to contact your customs agent with our change log information, to avoid any unexpected delays in customs clearance process

Acknowledgement of PCN receipt
If no feedback is received within two weeks after the issue date of this notification - Teltonika Telematics may accept that this change has been tacitly accepted and can implement the change as indicated above